



# INSTALLATION MAUNAL

PHOTOVOLTAIC (N-TYPE MODULE)  
PLATINUM  
Effective from April 7th, 2025

LUXEN SOLAR ENERGY CO.,LTD.  
T: +86 512 6708 1572  
F: +86 512 6708 1570  
sales@luxensolar.com  
www.luxensolar.com



<b>1</b>	<b>INTRODUCTION</b>	02
1.1	Modules Identification	03
1.2	Junction Box and Wiring	04
1.3	Safety Recommendations	06
1.4	Electrical Performance Safety	07
1.5	Operational Safety	08
1.6	Fire Safety	08
<b>2</b>	<b>MODULE UNLOADING AND TRANSFER</b>	09
2.1	Forklift Unloading	10
2.2	Crane Lifting	11
2.3	Transfer of Pallets Directly to the Construction Site	12
<b>3</b>	<b>STORAGE OF LUXEN SOLAR MODULES</b>	13
3.1	How to Storage LUXEN Modules in a Storage Facility	13
3.2	How to storage LUXEN Modules Outside	14
<b>4</b>	<b>UNPACKING OF LUXEN SOLAR MODULES</b>	15
4.1	Precautions	15
4.2	Unpacking Steps	16
4.2.1	Method 1: Vertical Packaging	16
4.2.2	Method 2: Horizontal Packaging	17
4.3	Handling of Solar Panels	18
<b>5</b>	<b>INSTALLATION CONDITIONS</b>	19
5.1	Installation Site and Operational Environment	19
5.2	Selection of Tilt Angles	20
<b>6</b>	<b>MECHANICAL INSTALLATION</b>	21
6.1	Regular Requirements	21
6.2	Bolts Mounting	22
6.3	Clamp Mounting	23
6.4	Installation and Mechanical Load of LUXEN Modules	24
<b>7</b>	<b>ELECTRICAL INSTALLATION</b>	27
7.1	Electrical Performance	27
7.2	Cables and Wiring	28
7.3	Connector	29
7.4	Bypass Diode	29
<b>8</b>	<b>GROUNDING</b>	30
8.1	Acceptable Grounding Methods	31
8.1.1	Grounding by Grounding Clamp	31
8.1.2	Grounding by Unoccupied Mounting Holes	31
8.2	Third Party Grounding Devices	31
<b>9</b>	<b>MAINTENANCE OF LUXEN MODULES</b>	32
9.1	Modules Apperance Check	33
<b>10</b>	<b>CLEANING OF LUXEN MODULES</b>	34
<b>11</b>	<b>RELEASE</b>	35

# 1. INTRODUCTION

This installation manual contains electrical and mechanical installation instructions, so please read it carefully before installing LUXEN Modules (hereinafter referred to as LN Modules). In addition, it also contains safety instructions that should be strictly adhered to. LN Modules should be installed only by qualified personnel observing closely all instructions and recommendations in this manual, having necessary protective gear for safe installation and complying with local laws and regulations of the country where modules are installed. Please get familiar with respective laws before installation begin, since they may be different for various installation types and system voltage.

Luxen Solar shall bear no liability nor responsibility for damages during manual moving of LUXEN Modules, installation, operation or maintenance due to improper handling. Any deviation from the instructions and non-compliance with recommendation given in this installation manual will result in invalid limited warranty. LUXEN Solar shall not be held liable for any violation of any laws or third party rights nor for losses, damages, damage claims or expenses arising from the violation and related to the installation or use of LUXEN Modules. This installation manual does not constitute any warranty, whether expressed or implied. This manual is compiled based on knowledge and experience of LUXEN Solar teams and should be kept serving for future reference of the installation crew and the PV installation owner. In case of any doubt in the interpretation of this manual, please contact LUXEN SOLAR for further clarification.

This installation manual is subject to change **at any time and can be amended or modified without prior notice**. Please verify with your contact person in Luxen Solar that you have the latest version.

# 1. INTRODUCTION

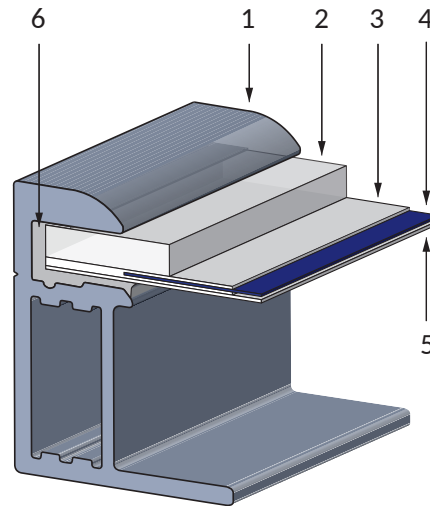
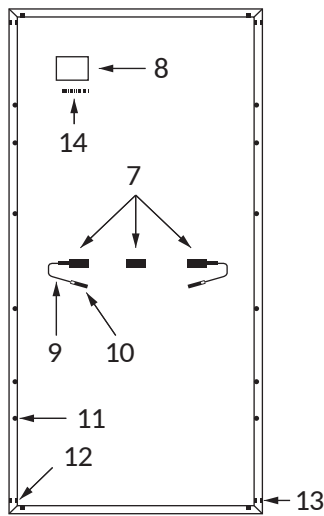
## 1.1. Modules Identification

There are 3 labels on the modules that contain information below:

1. Nameplate: product type, rated power, power tolerance, open circuit voltage, maximum power voltage, short circuit current under testing conditions, maximum power current, maximum system voltage, weight, dimensions, certification labels, etc.

2. Current classification label: Rated working current. (H indicates High, M indicates Medium, L indicates Low)

3. Serial Number label: Unique serial number which is laminated inside the module permanently which can be found on the front of the module. The same serial number is also printed next to the module name plate.

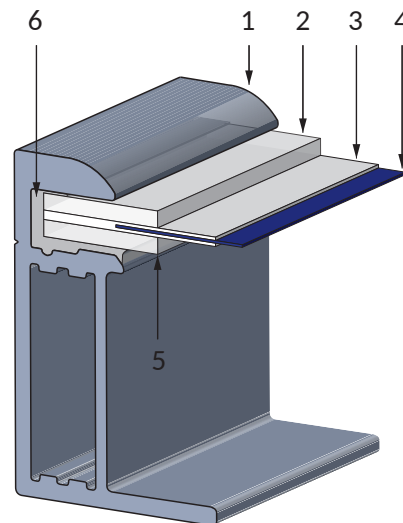
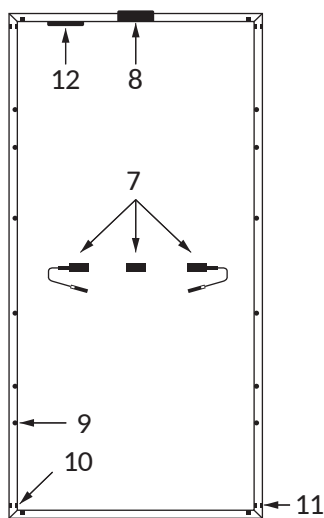


- 1. Frame
- 5. Back sheet
- 9. Cable
- 13. Drain Hole

- 2. Glass
- 6. Sealant
- 10. Connector
- 14. Bar Code

- 3. EVA
- 7. Junction Box
- 11. Mounting Hole

- 4. Solar Cell
- 8. Name Plate
- 12. Grounding Hole



- 1. Frame
- 5. Back Glass
- 9. Mounting Holes

- 2. Glass
- 6. Sealant
- 10. Grounding Holes

- 3. EVA/POE
- 7. Junction Box
- 11. Drain Holes

- 4. Solar Cell
- 8. Name Plate
- 12. Bar Code

Figure 1 - Regular modules mechanical drawing

# 1. INTRODUCTION

## 1.2. Junction Box and Wiring

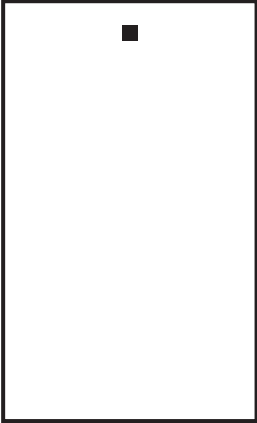
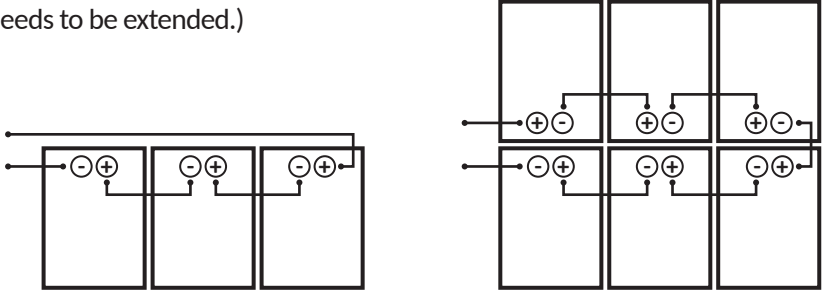
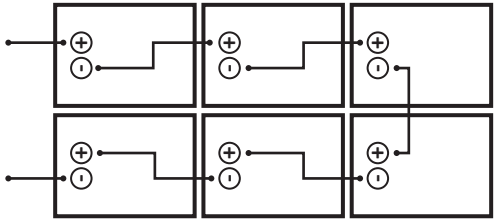
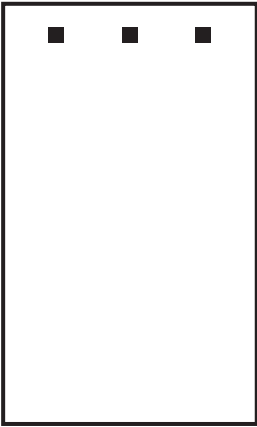
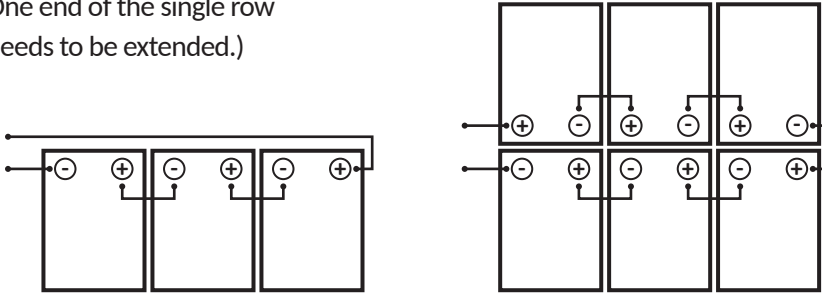
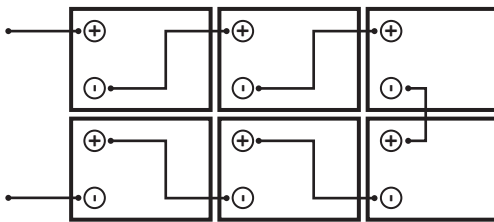
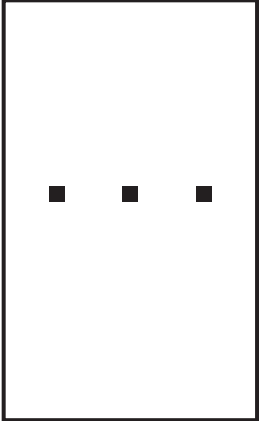
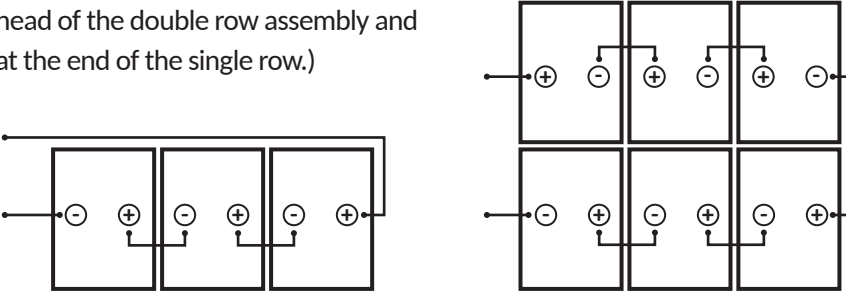
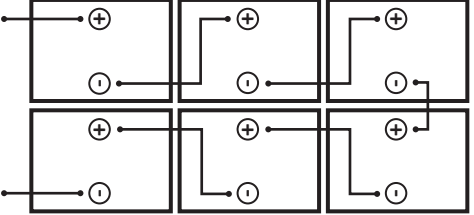
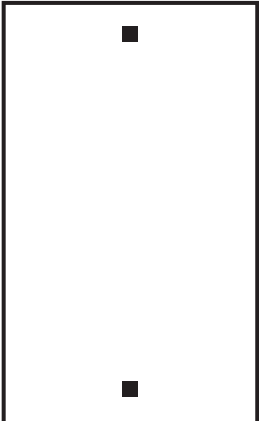
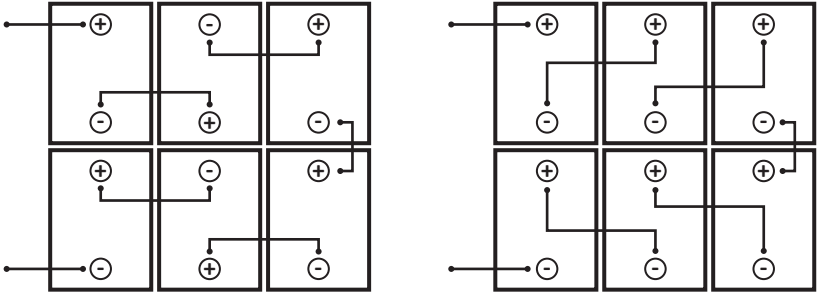
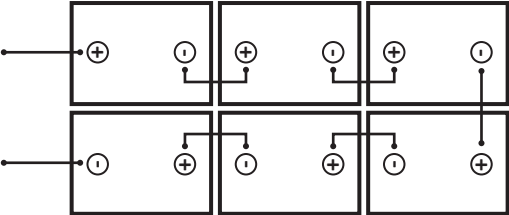
Junction Box Location	Recommended Wiring Method
	<p>Vertical Installation: Standard Cable Length (Note: One end of the single row needs to be extended.)</p>  <p>Horizontal Installation: Standard Cable Length</p> 
	<p>Vertical Installation: Standard Cable Length (Note: One end of the single row needs to be extended.)</p>  <p>Horizontal Installation: 60 type PV module cable length <math>\geq 1.2\text{m}</math> 72 type PV module cable length <math>\geq 1.4\text{m}</math></p> 

Figure 2 - Junction box and wiring

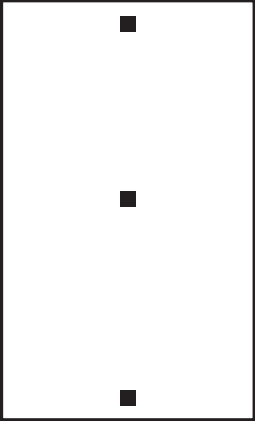
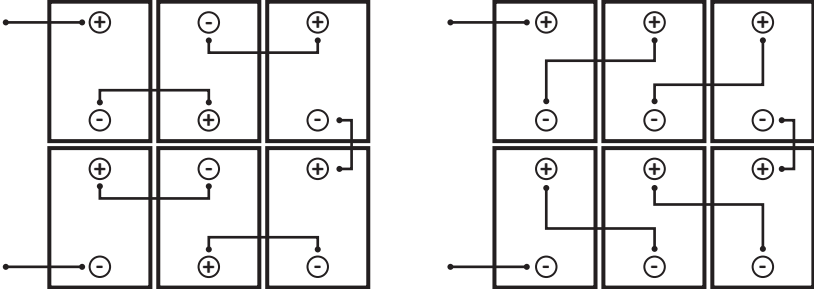
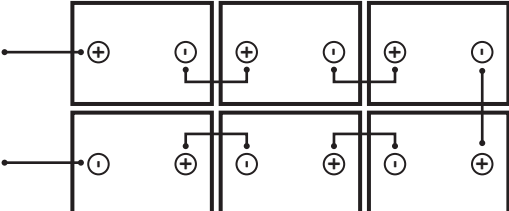
# 1. INTRODUCTION

## 1.2. Junction Box and Wiring

Junction Box Location	Recommended Wiring Method
	<p>Vertical Installation: Standard Cable length (Note: An extension cord is required at the rotor head of the double row assembly and at the end of the single row.)</p> 
	<p>Horizontal Installation: 60 type PV module cable length <math>\geq 1.2\text{m}</math> 72 type PV module cable length <math>\geq 1.4\text{m}</math> 78 type PV module cable length <math>\geq 1.5\text{m}</math></p> 
	<p>Vertical Installation: Method 1: Standard cable length Method 2: Single component cable length <math>\geq 1.2\text{m}</math></p> 
	<p>Horizontal Installation: Standard cable length</p> 

# 1. INTRODUCTION

## 1.2. Junction Box and Wiring 1.3. Safety Recommendations

Junction Box Location	Recommended Wiring Method
	<p>Vertical installation:</p> <p>Method 1: Standard cable length</p> <p>Method 2: Single component cable length <math>\geq 1.2\text{m}</math></p> 
	<p>Horizontal Installation: Standard cable length</p> 

### 1.3. Safety Recommendations

LUXEN module meet requirement and are produced according to IEC 61215 and IEC 61730, application class A, thus meeting Safety Class II requirements. They can be used in systems operating at  $> 50\text{ V DC}$  or  $>240\text{ W}$ , where general contact access is anticipated.

For every installation of LUXEN modules, it is necessary to wear protective gear (PPE and equipment) to avoid electric shock and other injuries, such as, but not limited to, safety helmets, insulation gloves, safety belts, etc. especially during wiring, grounding and installation and maintenance in general.

Do not attempt to install or handle LUXEN Modules in extreme weather situations, such as heavy rain, ice, strong winds, storms, heavy snow, etc. or any environment that is not dry and may lead to health and safety risks to people and equipment.

Any attempt to remove any parts of the LUXEN Module, perform any changes on the Module, included but not limited to painting it, applying any adhesives, modify cables/junction box, drilling holes in the frame or widening the existing ones, shall render the warranties invalid.

→ Continued on next page

# 1. INTRODUCTION

## 1.3. Safety Recommendations

### 1.4. Electrical Performance Safety

INSTALLATION MANUAL

→ Continued from previous page

**Do NOT step on, walk over or stand on LN Modules, do not scratch the front or backside surfaces of the module or cause any other damage to its surfaces or parts.**

During installation, make sure that all connections are with no gap between the contacts. Any gap can result in electrical arcing that can cause a fire hazard and/or an electric shock.

### 1.4. Electrical Performance Safety



Protective equipment and gear must be used for safety, since PV modules can produce DC current when exposed to sunlight, thus may cause electrical shock or burn. Any direct contact with 30V or higher DC Voltage can potentially lead to lethal consequences. Modules can still produce voltage in case of no connected load or external circuits, thus insulation tools and protective personal equipment is a must when handling modules exposed to the sunlight. Modules cannot be switched on and off and need to be covered by a hard board or ultra-violet shielding material to stop them from operating. **Do not attempt to disconnect Modules under load to avoid arcs and electrical shocks.**

Avoid in any case to break down electric connection in loaded conditions, because it can lead to electric shock hazard. Connector must be kept in proper operating condition and dry and clean. If the glass or other sealing materials are damaged, please wear PPE to isolate Module from the circuit. Do not bring connectors in contact with the following: gasoline, diesel, engine oil, grease, lubricants, rust-proof oil, cooking oil, acetone, alcohol, materials capable of generating oxime gas, household or other cleaning agent etc.

Any handling of operating LN Modules must be performed in dry conditions and by a qualified electrician. In general, only authorized and trained personnel may access and perform installation or maintenance related works.

Any person in the vicinity or working on an operating PV installation must wear safety gear and take all protective measures.

# 1. INTRODUCTION

## 1.5. Operational Safety

## 1.6. Fire Safety



### 1.5. Operational Safety

- Do not remove the packaging material of the pallet unless the Modules will be installed immediately after unwrapping.
- Handle the pallets with care, avoiding hitting the pallets with heavy object or dropping them on the ground.
- Handle LN Modules with care while taking them out of pallets avoiding dropping them on the ground
- Do not put heavy object or working gear and equipment on the glass surface to avoid damage and scratches to the glass
- Do not stack modules over the limit indicated as maximum
- Before unpacking, LN Modules must be in a dry environment
- Modules may be carried only by grasping the frame, not the junction box or cables.
- Do not sit, walk on, jump or stand on LN Modules, neither single or in pallets.
- Make sure LN Modules are not exposed to heavy vibrations, as they may cause micro-cracks in cells
- Any improper handling may lead to damages to the Module and diminish it's performance.
- Two people must grasp the frame of the Modules with both hands on opposite sides and gently transfer the Module to its installation place.
- It is strictly forbidden to drill additional holes or widen the existing once as it may impact the frame loading capacity, lead to corrosion and render the limited warranty invalid.
- Do not attempt to install LN Modules in wet, windy or snow conditions.
- Make sure you handle LN Modules carefully, when placing them on flat surface.
- Do no install Modules if you have noticed cracked glass, cells, scratches on the back sheet, dislocated junction box, etc.
- Do not expose LN Modules to sunlight using magnifying glass.



### 1.6. Fire Safety

- Please refer to local laws and regulations on fire safety before installing LN Modules and follow guidelines for fire protection in buildings. The fire rating of LN Modules is Class A (Double Glass Modules) and Class C (Single Glass Modulea).
- The roof should be coated by a layer of fireproof materials with suitable fire protection rating for roofing installation. Make sure that there is sufficient distance between the Module and the roof surface to ensure proper ventilation of the module and dissipation of the generated heat. To ensure roof fire rating, the distance between the LN Module and roof surface must be  $\geq 10\text{cm}$ .
- It is strictly forbidden to use or install LN Modules in vicinity of flammable gases, furnaces with chimneys that may eject flammable material or near any other source that presents a fire potential or risk.
- Improper installation may increase the fire risk.
- Fuses, circuit breaker and grounding connector must be used compliant to local regulations.

## 2. MODULE UNLOADING AND TRANSFER

The packaging methods of LUXEN modules are divided into short-side horizontal packaging and long-side vertical packaging. The styles are as follows:

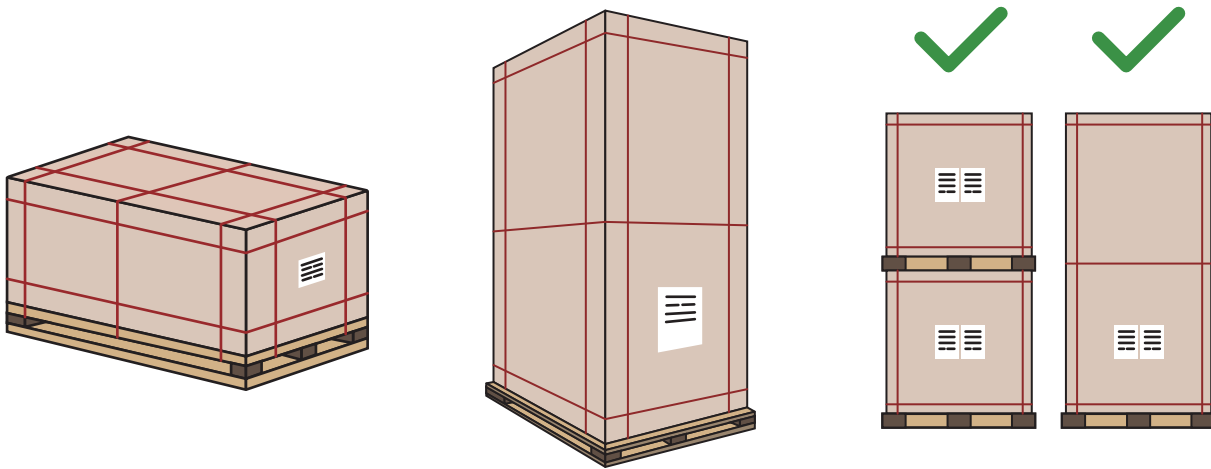


Figure 3 - Packaging style

- Under no circumstances should packages placed vertically on their short sides be stacked more than two layers. Do not stack packages stored vertically on their long sides.
- After modules arrive, please check whether the outer packaging box is intact and check whether the product model, power level and serial number on the outer packaging are consistent with the delivery note. If any problems are found, please contact the logistics personnel and Luxen sales personnel immediately before unpacking.
- The unloading of modules should be carried out in a flat, solid and open area to facilitate the operation and observation of the unloading personnel.

# 2. MODULE UNLOADING AND TRANSFER

## 2.1. Forklift Unloading

INSTALLATION MANUAL

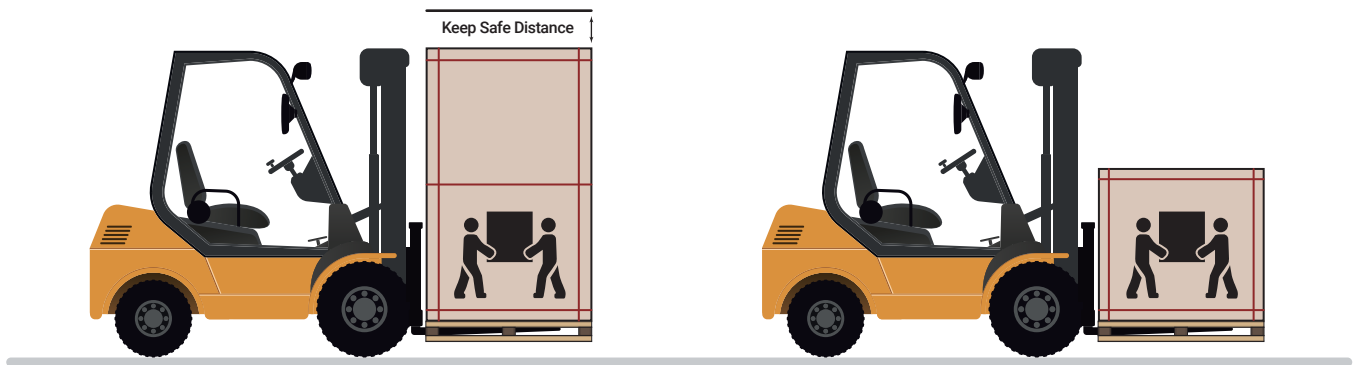


Figure 4 - Forlift unloading

- When forklifts are unloading, special personnel are required to direct the operation to avoid damage to the fork or knocking over modules. Forklift operators must hold professional operating certificates and take safety measures to ensure that forks are correctly aligned with the pallet to avoid puncturing the packaging of modules, since it can crush or damage the product. Uneven alignment can disrupt the balance of the load and it can slip off the pallet.
- The load is not crushed or otherwise damaged when it is loaded using too much force.
- The forklift is forbidden to use in web areas to avoid the pallet slipping off the forks.
- Please keep enough safety distance to people standing or passing by the forklift when it is operating.
- The height of the unloading platform should be at the same level with the bottom of the container with height difference not over  $\pm 5\text{mm}$ .
- When the pallets leave the container, please pay attention to the height between the top of the pallet and the top of the container to avoid any collisions.
- The forks have to be slid into the pallet until they are fully under the load, at least two-thirds the length of the load.
- If the pallets need to be temporarily stored after unloading, please keep sufficient space between each pallet to avoid damages to the packaging in the next loading attempt.
- During the forklift loading and unloading process, the forklift should be lowered slowly and then lifted. Pay attention to controlling the speed during driving. The straight-line driving speed should be  $\leq 5\text{km/h}$ , and the turning speed should be  $\leq 3\text{km/h}$ . Avoid sudden stops and sudden movements to prevent modules from tipping over.
- If pallets are transported to the installation site, please choose a flat and solid ground to place them.

# 2. MODULE UNLOADING AND TRANSFER

## 2.2. Crane Lifting

INSTALLATION MANUAL

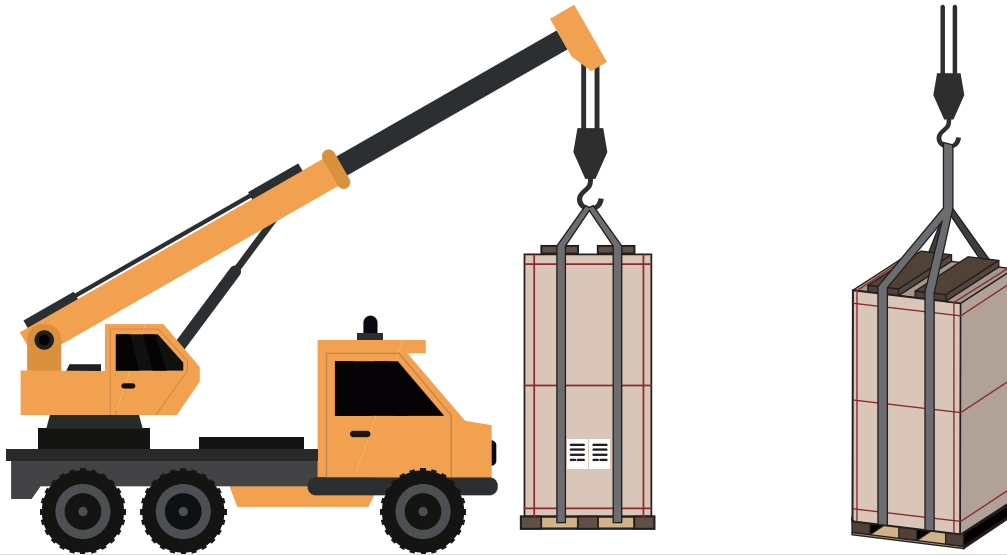


Figure 5 - Crane unloading

- When lifting by crane, please choose a lifting rope with sufficient tensile force according to the weight and size of the pallet. Please use a wooden board or other fixing device of the same width as the pallet packaging, placed on the top of the pallet to prevent the lifting straps from squeezing the package and causing damage to modules.
- The lifting rope must be made of nylon sling, wire rope is not allowed.
- It is strictly forbidden to lift modules under weather conditions with wind speed greater than Level 6 (Beaufort wind scale), heavy rain, or heavy snow. Crane safety operating procedures must be followed.
- A qualified person is required to direct unloading, and the crane operator and must hold professional operating certificates.
- When lifting modules, no more than 2 pallets are allowed to be lifted at the same time for horizontally packaged modules, and only 1 pallet is allowed to be lifted at the same time for vertically packaged modules.
- When hoisting, please adjust the position of the sling to keep it directly above the center of gravity to ensure pallet stability and balance.
- When the hoist is close to the ground, two people are required, one on each side, to straighten the module box and gently place the pallet on a flat and solid place.

## 2. MODULE UNLOADING AND TRANSFER

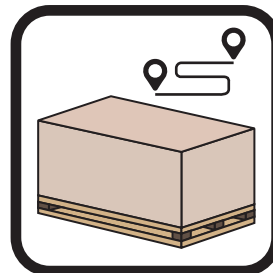
### 2.3. Transfer of Pallets Directly to the Construction Site

INSTALLATION MANUAL

#### Transport Method



#### Cautions/Recommendations

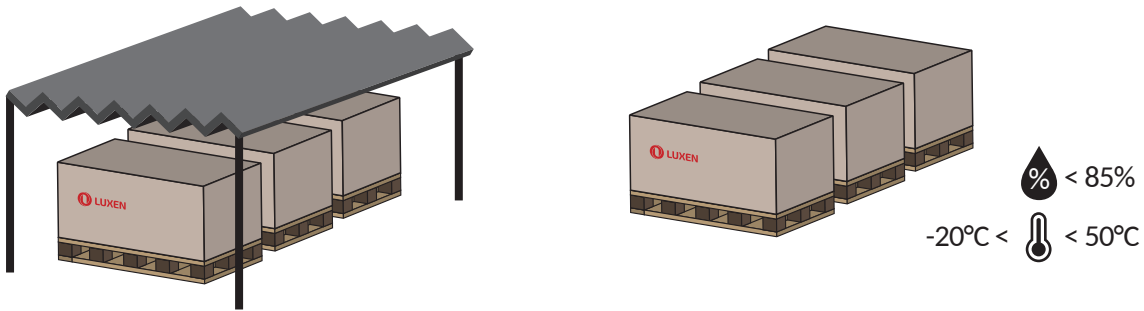


- Do not remove original packaging of modules for the whole duration of the transport to the final destination. If pallets need to be stored for a long time, do not remove the original packaging until the modules should be installed.
- The pallets can be transported by sea, land, air and other ways. During transportation, please fix the pallets on the transportation platform to ensure that they do not move during transportation.
- During road transport, please use guardrails. The height of the guardrail should not be less than 2/3 of the height of the module, and fastening straps should be used to secure modules.
- If a single module need to be transported, please place the module stably on the pallet, and pack the modules first. Then put them in the packaging box.
- Do not place improperly packed pallet on the lower layer when transporting.

# 3. STORAGE OF LUXEN SOLAR MODULES

## 3.1. How to Storage LN Modules in a Storage Facility

INSTALLATION MANUAL

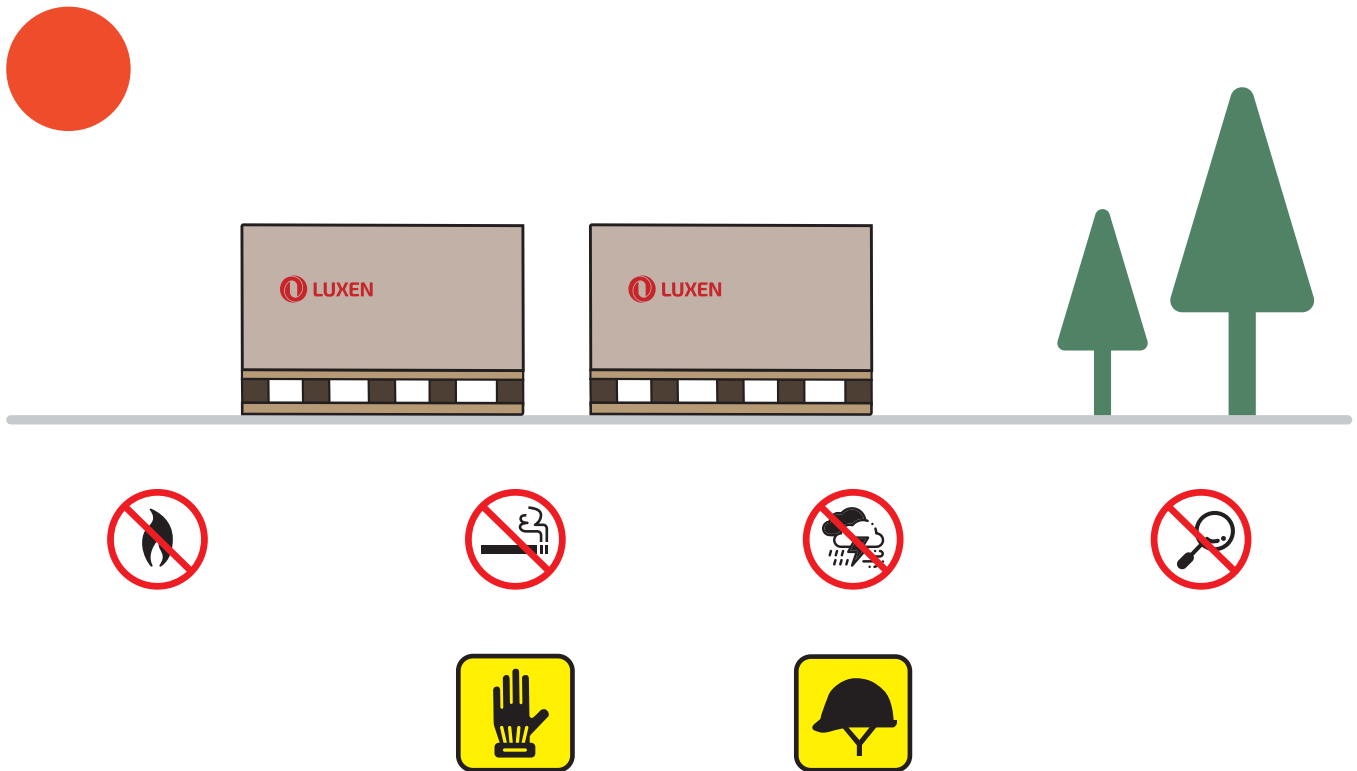


- The best way to storage LN Modules is inside or under a shelter to shield them from extreme weather conditions.
- LN Modules should be left in the original package with the outer packaging intact until they should be taken out of the pallets for installation.
- Store LN Modules in a clean and dry place with humidity below 85% and ambient temperature between -20°C and 50°C.
- The storage area should prevent the pallet and packaging box from damp and direct sunlight.
- LN Modules should be placed on flat and solid ground in an environment that is kept dry and ventilated.
- Pallets must not be exposed to water. Standing water after rain can cause wooden pallets to rot or fall under the ground.
- Pallets are stackable, but only one of top of the other. Do not stack more than allowed. Take special care while unloading pallets for storage or loading pallets for transportation to the construction site.
- Don't rush the forklift, make sure the pallets are properly lifted and slowly transferred to the new location. Following basic forklift safety measures helps prevent damage to pallets.
- Pallets must be handled without sudden movements and without dropping them on the floor or land surface.
- Make sure that the storage place is clutter-free and free from debris, so there is no bouncing over it while moving pallets around. Any bounce can put stress on a pallet and cause vibrations increasing the risk of module damage.
- When pallets are stacked, make sure the weight of the upper pallet is evenly distributed and centered compared to the pallet below. Evenly distributed weight prevents damage to the packaging and corners.
- Tynes of forklifts are major cause of damaged pallets. They should fit evenly into a pallet, without any contact until the pallet is lifted. If they hit pallet stringers, they can damage them. If stringers of the pallet are damaged, the weight capacity is diminished causing instability of the pallet and jeopardizing pallet collapse under it's load. One the pallet is set down on the ground, tynes must be fully removed, before turning the forklift.
- Make sure the load of the pallet does not rest on the tip of tynes: Tynes of forklifts must be fully inserted into the pallet before attempting lifting it. Otherwise, if the load of the pallet is resting on the tips of the tynes, called short-forking, a lot of stress is put on the pallet deckboards, the pallets may slip or fall during moving. This can lead to pallet damage and subsequently product damage.
- Make sure pallets are never pushed across the floor, but only lifted using forklifts. Pushing or pulling them may cause lateral stress on the pallet and the goods inside and it damages the pallet boards.

# 3. STORAGE OF LUXEN SOLAR MODULES

## 3.2. How to Storage LUXEN SOLAR Modules Outside

INSTALLATION MANUAL

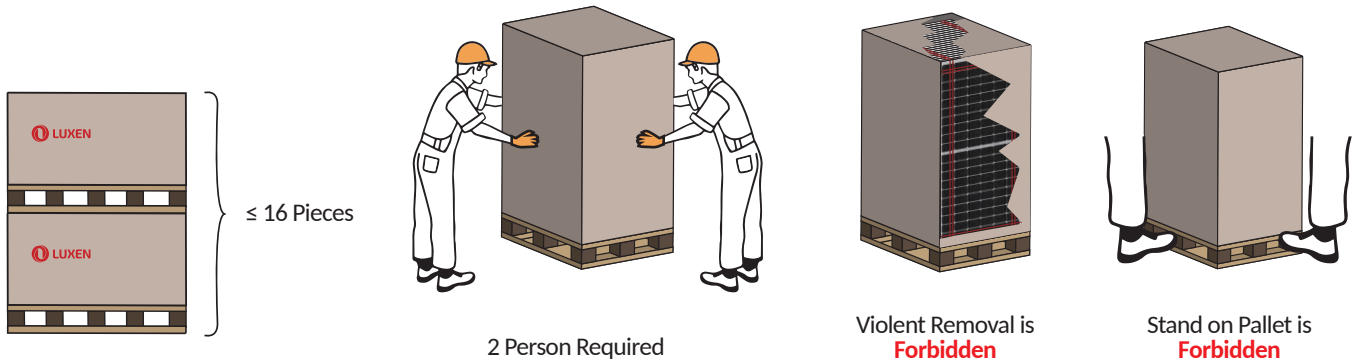


- If modules are stored in an uncontrolled environment, such as outdoors, they should be stacked in a single layer. Double stacking is strictly forbidden. Modules should be inspected regularly.
- Wooden pallets can change shape and structure, when exposed to extreme weather conditions, especially moisture, water or mud and especially for a long time. If you need to store pallets outside, make sure it's for a short time period.
- LN Modules outside, make sure that pallets are placed on an even ground to prevent leaning and falling.
- Pallets with modules should not be exposed to extreme weather conditions, such as heavy rain or show that can degrade the wood's quality.
- It is recommended NOT to stack one pallet on top of another in an open space. The ground is never as even as in a storage facility and the risk of pallets falling increases.
- Make sure pallets are kept away from any fire source, flammable material or compressed gasses, since wooden pallets are highly flammable. Do not smoke cigarettes, have broken glass pieces that may act as a lens, because if the sunlight hits it and the rays are bounced to flammable material, a fire can start.
- Make sure that personnel handling pallets are familiar with proper lifting procedures and techniques, that they wear appropriate PPE and follow rules for safe transfer of pallets (please see instructions above).
- There is a risk of modules toppling over if they are left outdoors for a long time. For long-term storage, it is recommended that modules be stored in a standard warehouse.

# 4. UNPACKING OF LUXEN SOLAR MODULES

## 4.1. Precautions

INSTALLATION MANUAL



- Before unpacking, please check the product model, power level and serial number on the outer box and read this manual carefully.
- Before unpacking, please make sure that the outer packaging box is intact. Using cutting pliers and not knife to cut the zip-ties. Violent packaging removal is forbidden.
- A flat and solid ground should be chosen for unpacking. Keep the packing boxes horizontal and stable during the unpacking process.
- Do not perform outdoor unpacking operations in rainy or snowy conditions to avoid accidental damage to cartons, which may cause damage to modules or personal injury.
- When unpacking, two or more people must hold the module at the same time.
- Before unpacking, a special support frame should be placed on the back of modules to ensure that the support frame will not scratch or break modules. After unpacking, please place modules against the support frame.
- Please wear protective gloves during unpacking to avoid scratching hands and leaving fingerprints on the glass.
- Before removing the internal packing tape, please take precautions to prevent the entire box of modules from toppling over.
- During the unpacking process, it is strictly forbidden to stand on the pallet. Please carry the modules from both sides of the pallet.
- Modules should be taken out of the packaging only immediately before the installation.
- If not all modules are taken out after unpacking, the remaining modules need to be safely repacked horizontally with the rear side up to avoid damage.
- The maximum stacking quantity of modules must not exceed 16 pieces.

# 4. UNPACKING OF LUXEN SOLAR MODULES

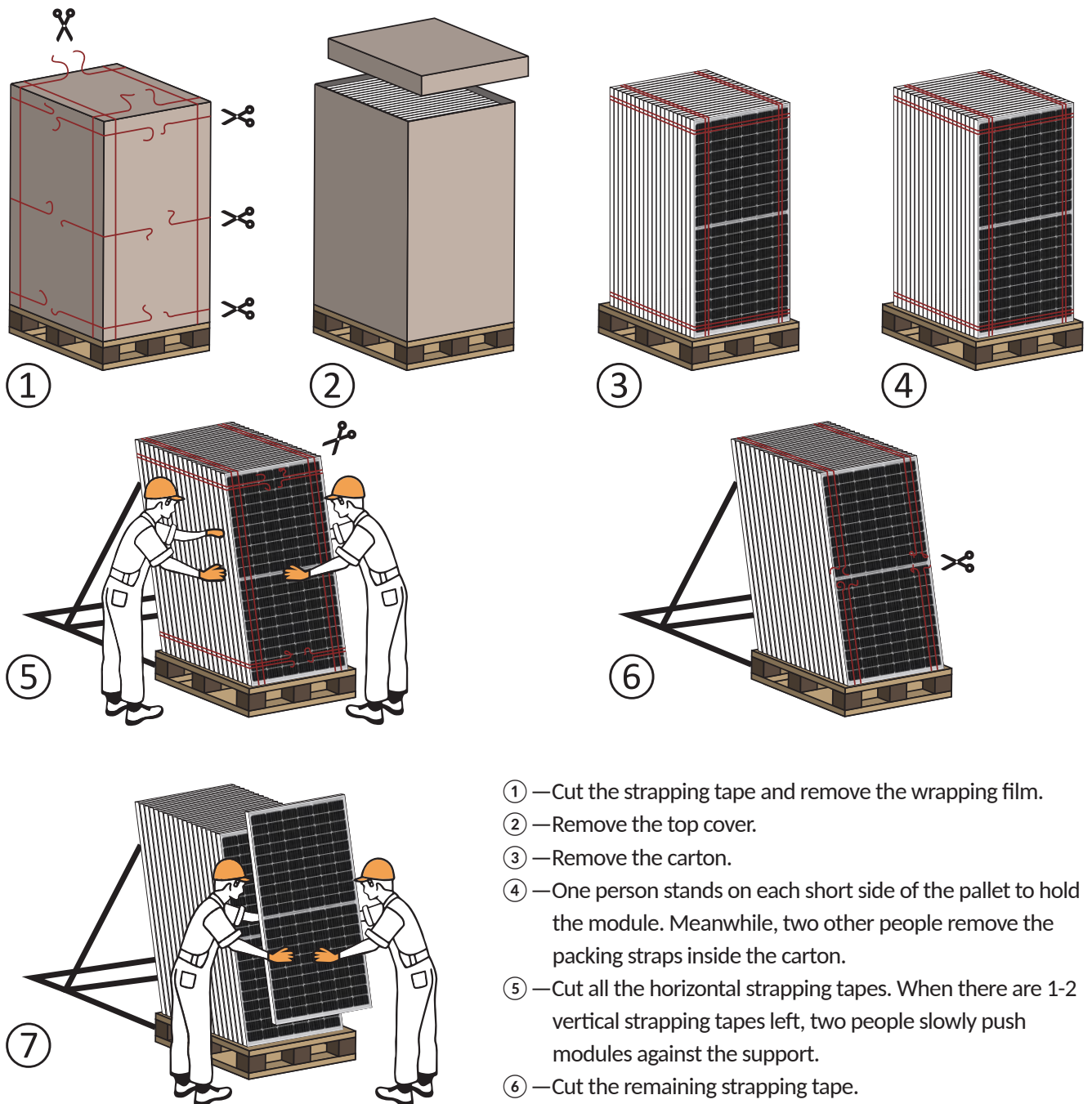
## 4.2. Unpacking Steps

### 4.2.1 Method 1: Vertical Packaging

INSTALLATION MANUAL

Please follow the unpacking steps below to unpack modules.

Modules to be unpacked should be placed close to a solid wall, rack or another unpacked module of the same specification. The support must be flat and free of any scratches. The support is parallel to the side of the pallet, with a distance of 15-20cm.



Any supportive structure is applicable.  
Unopened Modules, Metal frame, Wall, and etc.

Figure 6 - Vertical packaging

- ① —Cut the strapping tape and remove the wrapping film.
- ② —Remove the top cover.
- ③ —Remove the carton.
- ④ —One person stands on each short side of the pallet to hold the module. Meanwhile, two other people remove the packing straps inside the carton.
- ⑤ —Cut all the horizontal strapping tapes. When there are 1-2 vertical strapping tapes left, two people slowly push modules against the support.
- ⑥ —Cut the remaining strapping tape.
- ⑦ —Two or more people should carry modules in sequence. Wear insulating gloves when carrying modules.

# 4. UNPACKING OF LUXEN SOLAR MODULES

## 4.2. Unpacking Steps

### 4.2.2 Method 1: Horizontal Packaging

INSTALLATION MANUAL

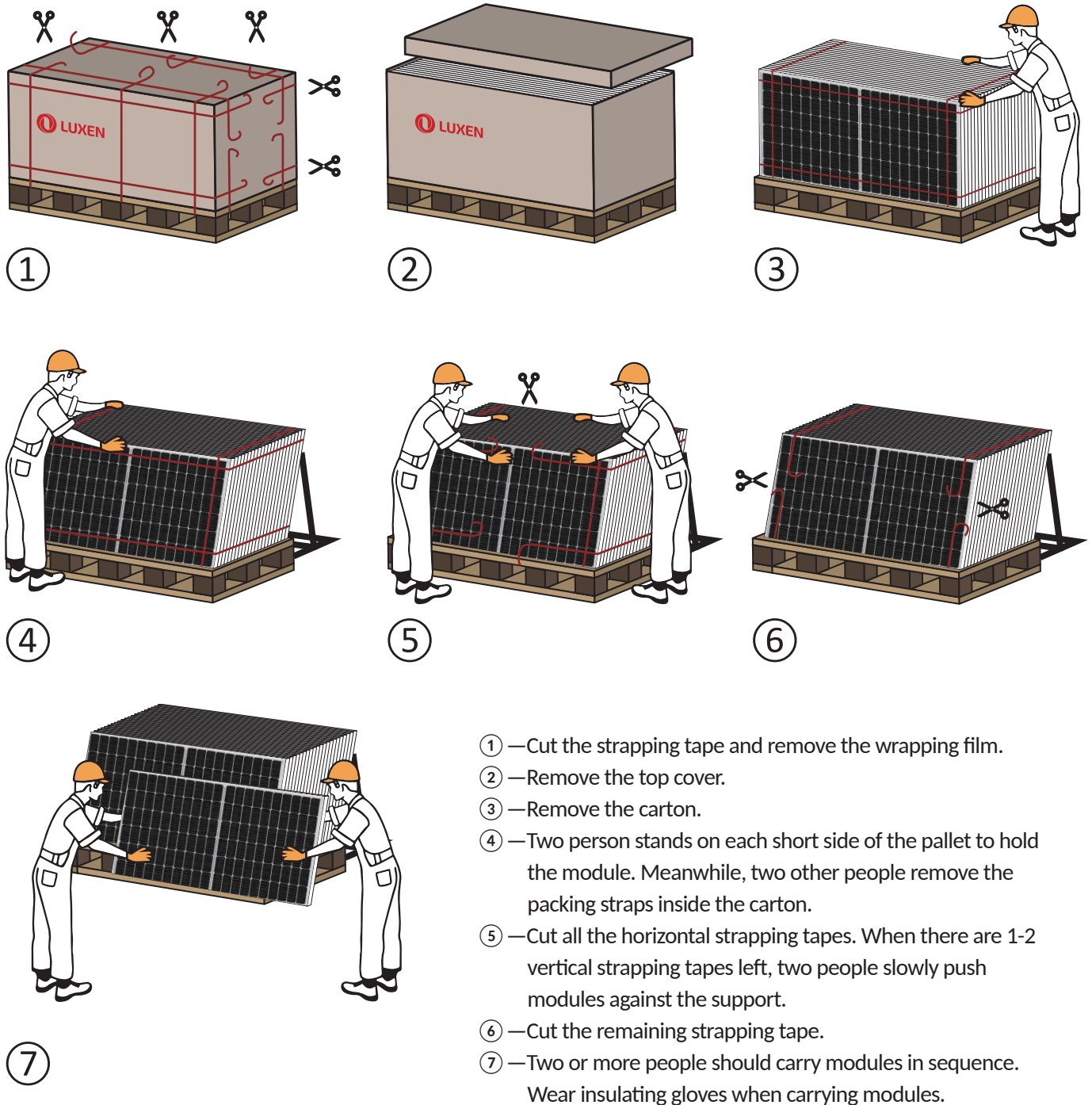


Figure 7 - Horizontal packaging

# 4. UNPACKING OF LUXEN SOLAR MODULES

## 4.3. Handling of Solar Panels

INSTALLATION MANUAL

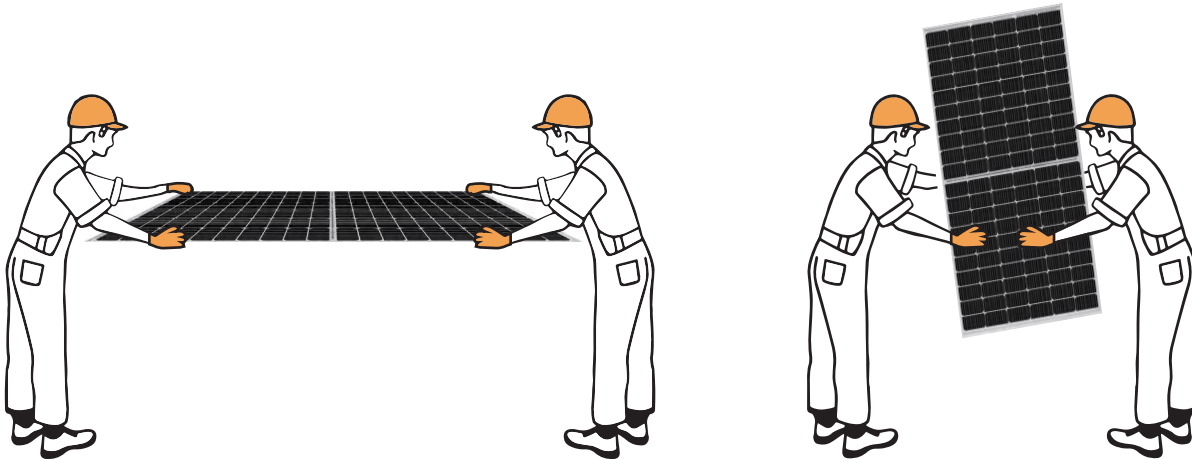


Figure 8 - Handling of solar panels

- At least two people are required to carry one module at the same time to avoid the risk of modules dropping or slipping out of hands.
- Two people hold either the long sides or short sides of the module, lift it simultaneously, and move it to the installation site. Protective gloves must be worn during unpacking to avoid scratching hands.
- Do not place the module on the ground, as the edges may get damaged.
- Do not place module directly on top of the other.
- Please hold the inner side of the frame when moving the module. Do not touch the glass surface with fingers to avoid leaving fingerprints on the glass.
- It is forbidden to carry the modules by holding it by cables or junction boxes.
- Remove all modules step by step in the order in which they are arranged.

# 5. INSTALLATION CONDITIONS

## 5.1. Installation Site and Operational Environment

- LUXEN Modules should be installed outside, in locations with a lot of sunlight, avoiding shadows on LUXEN Modules from surrounding objects, since the power output is reduced. LUXEN Modules which exposed to repeated and regular shading for a long period of time, are not covered by the limited warranty, due to damages the Modules are exposed to in such an environment.
- It is recommended to install LUXEN Modules in an operating environment with a temperature of -40 to +85.
- LUXEN modules can be installed on the ground, buildings and structures with rooftops, but shall not be installed on any vehicles.
- Do not install modules in environment where the risk of floods is high.
- Do not install LUXEN Modules in a location where they will be immersed in water.
- It is strictly prohibited to install LUXEN Modules in environments where there are strongly corrosive substances present (such as chemicals, acid rain, or any other substance that would corrode the Module and affect its safety or performance).
- Make sure that installed modules do not suffer wind or snow pressure that exceeds the permissible maximum load limit.
- Make sure you have secured lightning protection for modules installed in places with frequent lightning and thunder.
- LUXEN Modules should not be used in environments with frequent hail storms, heavy snow, heavy air pollution
- LUXEN modules passed the IEC61701 salt spray corrosion test, but the corrosion may still occur over time. LUXEN Modules should be installed at least 50m away from the sea side. Use stainless steel material to contact the Module and make sure the connection point is protected with anti-corrosion measures.
- It is forbidden to use different models of LUXEN Module in the same PV system installation.
- Make sure that when you connect LUXEN Modules in series, the voltage of every string does not exceed than the maximum voltage of the system - check local regulations.

# 5. INSTALLATION CONDITIONS

## 5.2. Selection of Tilt Angles

The maximum power output is secured when the Module is facing the sun.

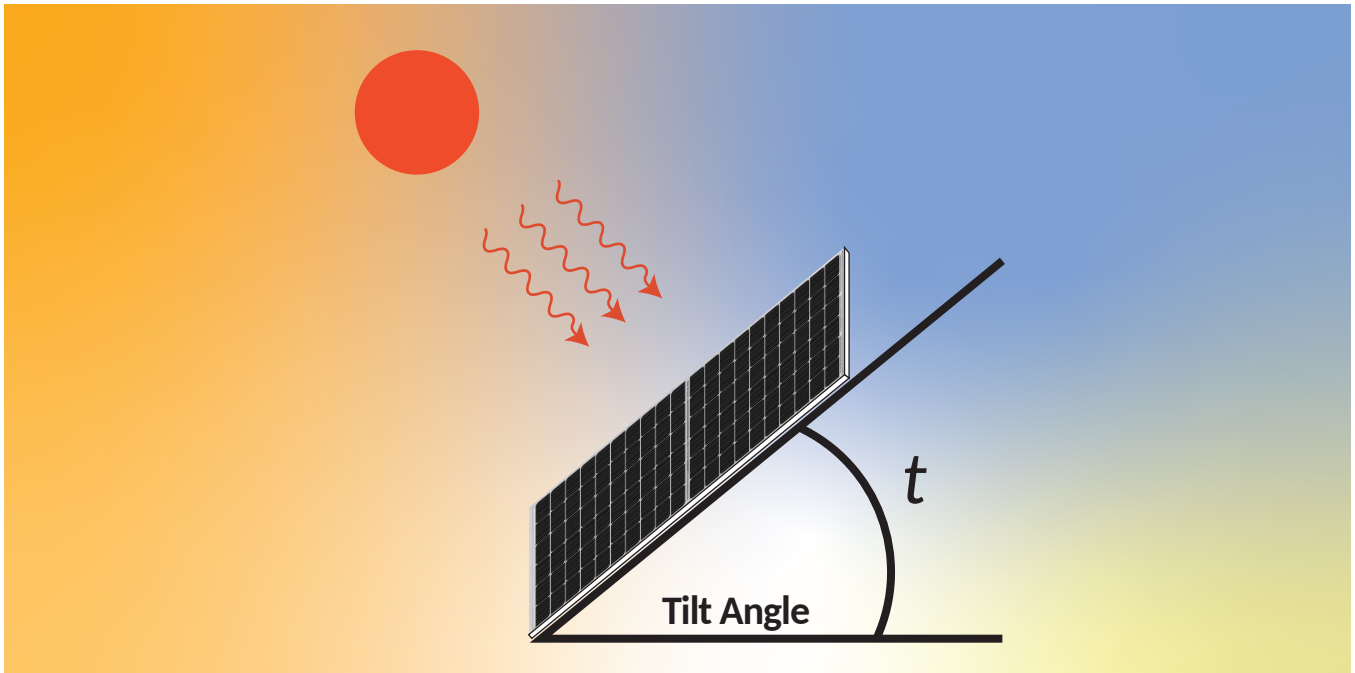


Figure 9 - The Installation angle

Modules are preferred to be south-facing in the north hemisphere and north-facing in the south hemisphere. Please refer to standard modules installation guideline or suggestions from a qualified expert, regarding the specific installation angle.

LUXEN SOLAR suggests that the angle of module installation is no less than  $10^\circ$ . This ensures that rainfall washes away the dust from the Module surface, reducing the need for frequent cleaning and water marks on the glass.

LUXEN SOLAR modules connected in string should be installed with the same orientation and tilt angle. Different orientations and tilt angles will receive different irradiation that results in lower efficiency. In order to achieve the maximum annual generating capacity, the optimal orientation and inclination of PV modules should be selected based on the shortest day of the year and the amount of sunlight reaching LUXEN Modules on that day.

If LUXEN Modules are used in off-grid System, the tilt angle should be calculated based on seasons and irradiation to maximize the output power.

If the LUXEN Modules are used in grid-connected system, the tilt angle should be calculated based on the principle to maximize the yearly output power.

# 6. MECHANICAL INSTALLATION

## 6.1 Regular Requirements

INSTALLATION MANUAL

- Make sure that module installation method and the mounting structure are perfectly matched to with stand to the loading conditions. The mounting structure shall be tested and inspected by the third party with static mechanical analysis compliant to local national standards or international standards.
- The mounting structure shall be made from durable, corrosion resistant, UV-proof materials. Modules shall be fixed on the structure according to Luxen's instructions.
- The height of the structure must be adjusted to the environmental conditions to ensure the LN Modules are shadowed as less as possible in various weather conditions.
- On rooftops, proper ventilation of LN Modules must be ensured.
- Due to the thermal expansion of physical properties of materials, that do not affect the installation, use and reliability of the Modules, yet the dissemination of the heat must be provided. The minimum distance between two Modules should not be less than 10 mm.
- Ensure that the Module backside will not be in contact with the support or building structure that can pierce into the inside of the modules, especially when the module surface is exposed to pressure.
- Certified maximum front load on LN modules is 5400pa and backload 2400pa.
- Note: on the basis of IEC61215 - 2016 installation requirements, when calculating the corresponding maximum design load, please consider the safety factor of 1.5 times.
- Modules can be installed horizontally or vertically. When installing the modules, be careful not to block the drain hole of the frame.

### Monofacial assembly mechanical installation

Module and mounting system connection can be realized by Mounting holes, clamps or embedded systems.

Installation shall follow the demonstration and suggestions below.

If installation mode is different, please consult LUXEN SOLAR and obtain approval. Otherwise, modules may be damaged and limited warranty will be invalid.

# 6. MECHANICAL INSTALLATION

## 6.2. Bolts Mounting

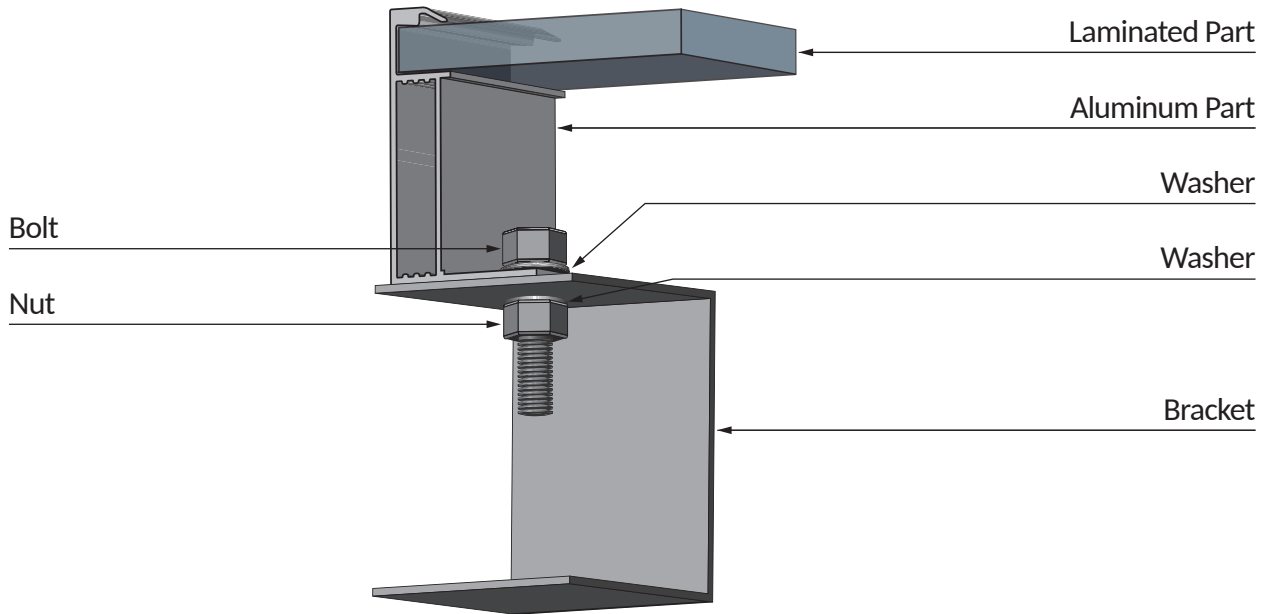
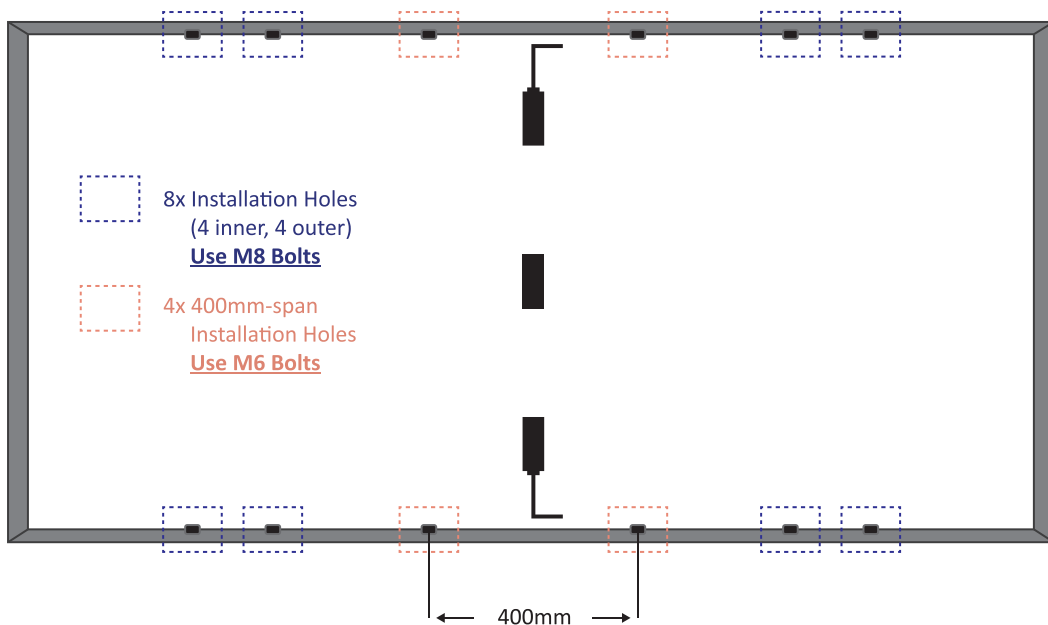


Figure 10 - Bolt installation of monofocal module



### Torque tightening:

The torque size range of M8 bolt tightening: **14 - 18 N·m.**

The torque size range of M6 bolt tightening: **10 - 14 N·m.**

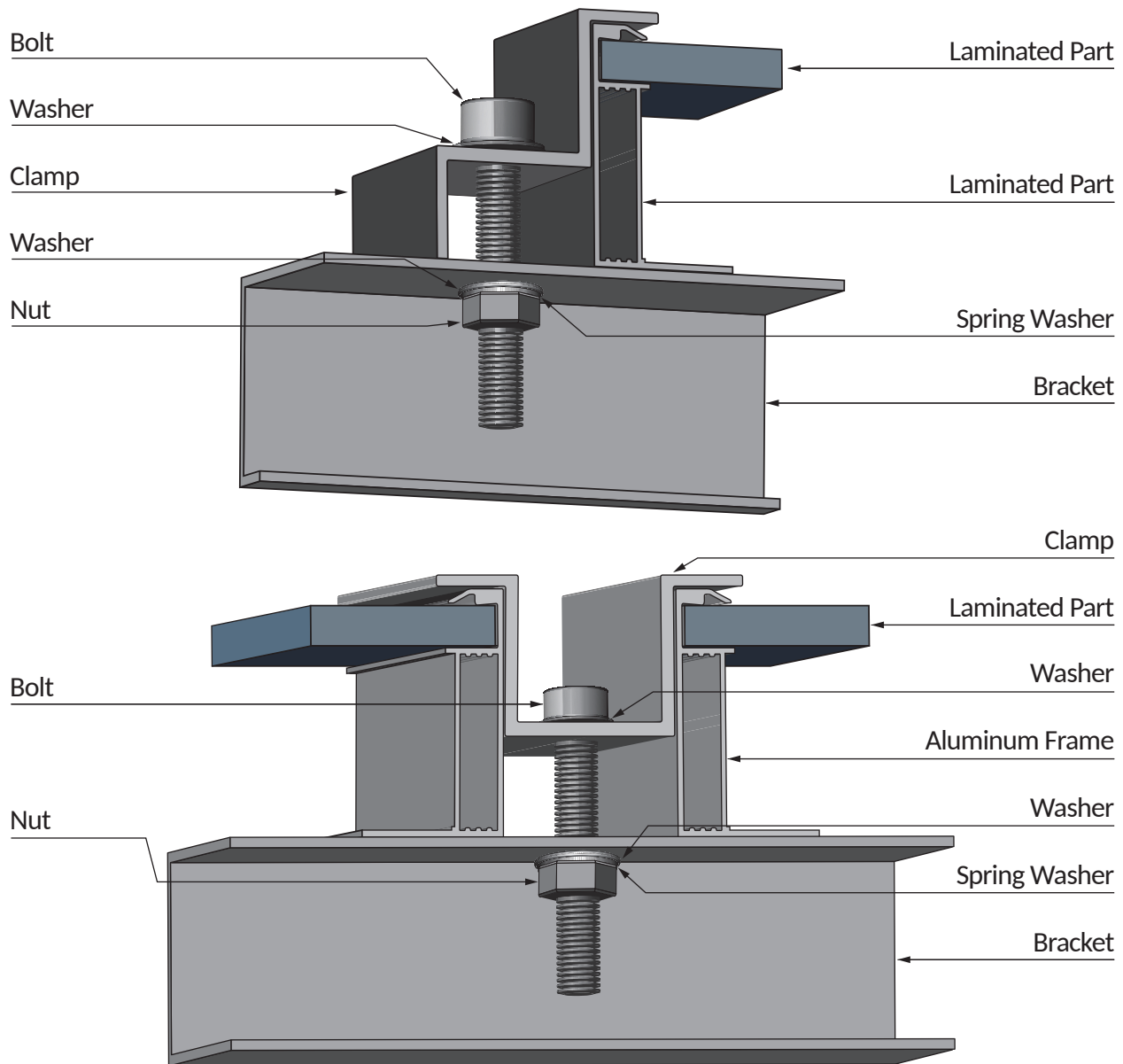
# 6. MECHANICAL INSTALLATION

## 6.3. Clamp Mounting

The module can be mounted by a dedicated clamp, as shown in **Figure 10**.

Drain hole must not be blocked by the fixture.

Under no circumstances should the clamp touch the glass or deform the frame. The interface of the clamp to the front of the frame must be smooth and flat to prevent frame or other components from being damaged.



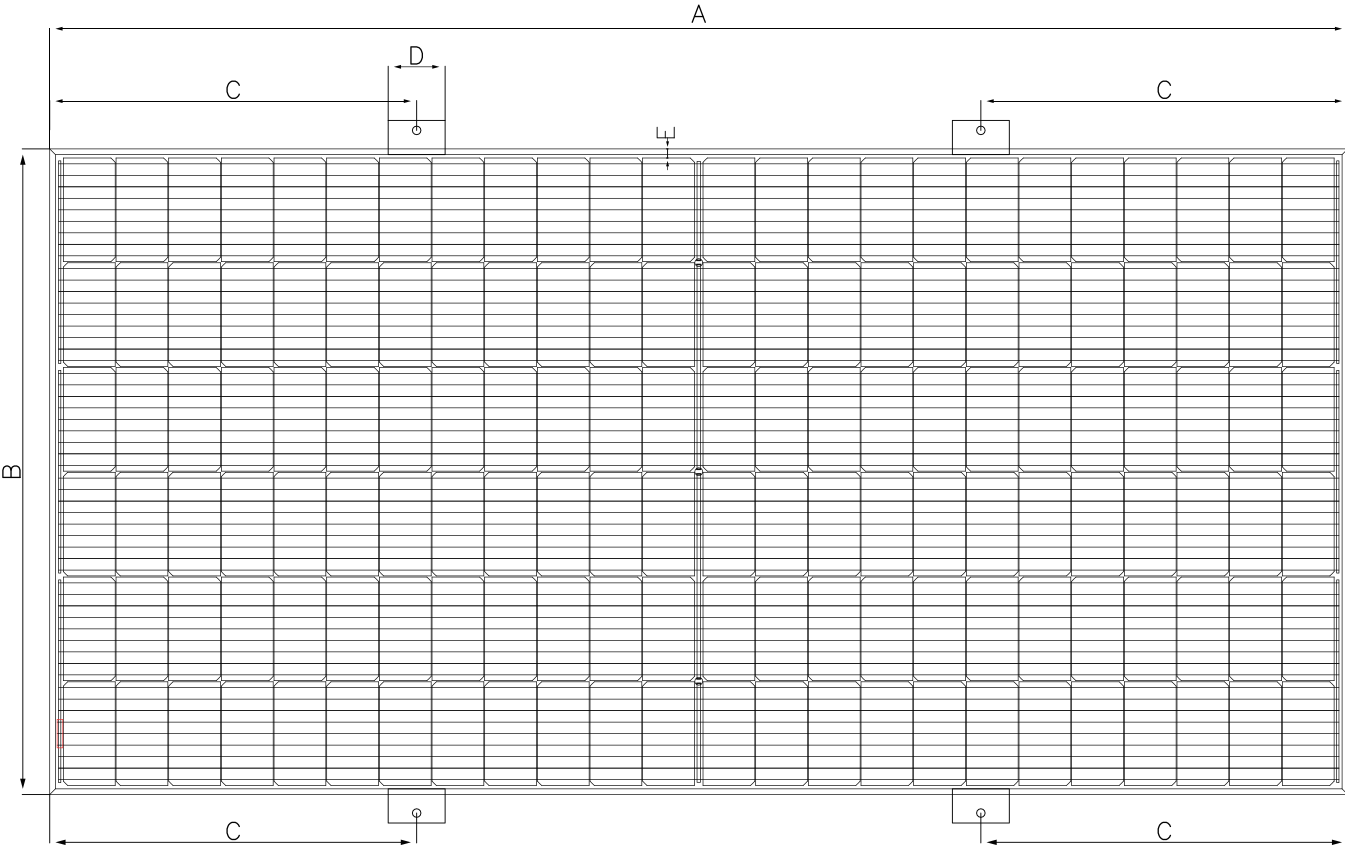
**Figure 11 - Clamp installation of module**

For framed PV module, the clamp must maintain an overlap of 8-11 mm with the frame of the module (you can change the cross section of the clamp if the module is securely installed).

For frameless PV module, the clamp must maintain an overlap of 15 mm at maximum with the module.

# 6. MECHANICAL INSTALLATION

## 6.4. Installation and Mechanical Load of LN Modules



\* Notes:

- A: Length of this type of module
- B: Width of this type of module
- C: The distance of clamp center from the edge of this type of module

# 6. MECHANICAL INSTALLATION

## 6.4. Installation and Mechanical Load of LN Modules

INSTALLATION MANUAL

Module Type	Mechanical Loading/Pa	A/mm	B/mm	C/mm
LNvH-xxxN	+5400 / -2400	2465	1134	1/4A±100
LNvH-xxxND	+5400 / -2400	2465	1134	1/4A±100
LNvU-xxxN	+5400 / -2400	2278	1134	1/4A±100
LNvU-xxxND	+5400 / -2400	2278	1134	1/4A±100
LNvT-xxxN	+5400 / -2400	2094	1134	1/4A±100
LNvH-xxxND	+5400 / -2400	2094	1134	1/4A±100
LNvK-xxxN	+5400 / -2400	1910	1134	1/4A±100
LNvK-xxxND	+5400 / -2400	1910	1134	1/4A±100
LNvB-xxxN	+5400 / -2400	1722	1134	1/4A±100
LNvB-xxxND	+5400 / -2400	1722	1134	1/4A±100
LNvA-xxxN	+5400 / -2400	2382	1134	1/4A±100
LNvA-xxxND	+5400 / -2400	2382	1134	1/4A±100
LNcU-xxxN	+5400 / -2400	2465	1134	1/4A±100
LNcU-xxxND	+5400 / -2400	2465	1134	1/4A±100
LNcT-xxxN	+5400 / -2400	2278	1134	1/4A±100
LNcT-xxxND	+5400 / -2400	2278	1134	1/4A±100
LNdT-xxxN	+5400 / -2400	2382	1134	1/4A±100
LNdT-xxxND	+5400 / -2400	2382	1134	1/4A±100
LNDB-xxxN	+5400 / -2400	1961	1134	1/4A±100
LNDB-xxxND	+5400 / -2400	1961	1134	1/4A±100
LNdx-xxxN	+5400 / -2400	1762	1134	1/4A±100
LNdx-xxxND	+5400 / -2400	1762	1134	1/4A±100

**\* Notes:**

LN Solar's limited warranty will be void in cases where improper clamps or installation methods deviating from this manual are used. When using clamps to fasten the modules, pay attention to the following requirements:

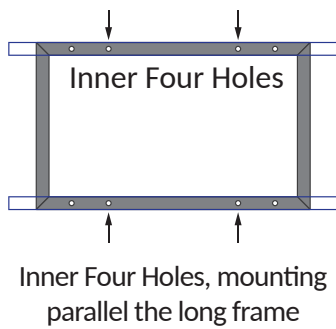
- (a) Take care of the module frames, not to twist or deform them. / (b) Avoid the clamps' shading influence the module. / (c) Not to damage the surface of module frame. / (d) Make sure that the module's drainage holes not be plugged. / (e) For installation with 400mm mounting holes, please consult with tracker companies about the workable installation solution if required test load is over 2400Pa.

# 6. MECHANICAL INSTALLATION

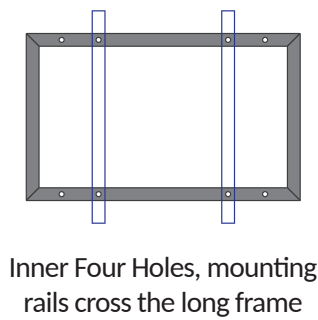
## 6.4. Installation and Mechanical Load of LN Modules

INSTALLATION MANUAL

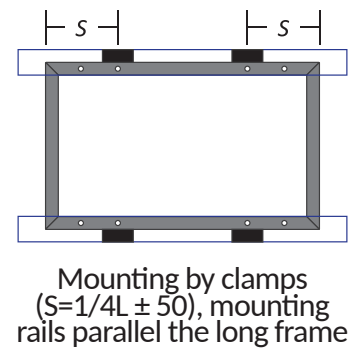
Method ①



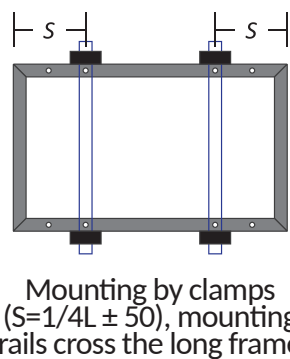
Method ②



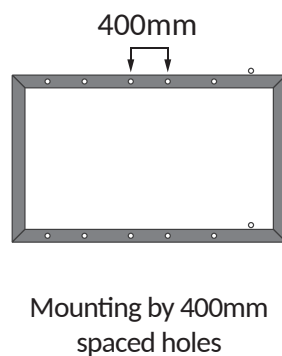
Method ③



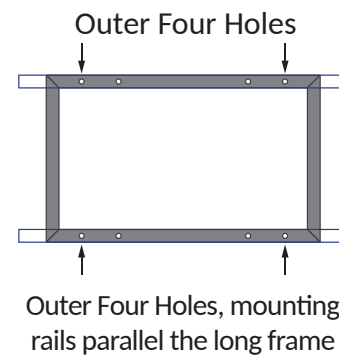
Method ④



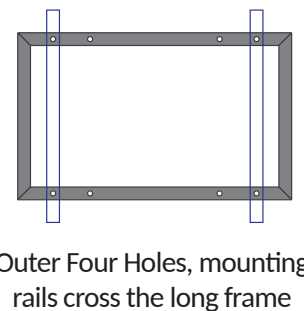
Method ⑤



Method ⑥



Method ⑦



Installation Methods Framed Bifacial Double-glass Modules	Method ①	Method ②	Method ③	Method ④	Method ⑤	Method ⑥	Method ⑦
	LNVT-xxx M/N/NB(182)	2400	+5400/-2400	2400	+5000/-2400	2400	N/A
LVNU-xxxM/N/NB(182)	2400	+5400/-2400	2400	+5400/-2400	2400	2400	+5400/-2400
LVVH-xxx M/N/NB(182)	2400	+5400/-2400	2400	+5400/-2400	1800	2400	+5400/-2400
LNVT-xxx MD/ND(182)	2400	+5400/-2400	2400	+5400/-2400	2400	N/A	N/A
LVNU-xxx MD/ND(182)	2400	+5400/-2400	2400	+5400/-2400	2400	2400	+5400/-2400
LVNH-xxx MD/ND(182)	2400	+5400/-2400	2400	+5400/-2400	1800	2400	+5400/-2400

“N/A” means not applicable

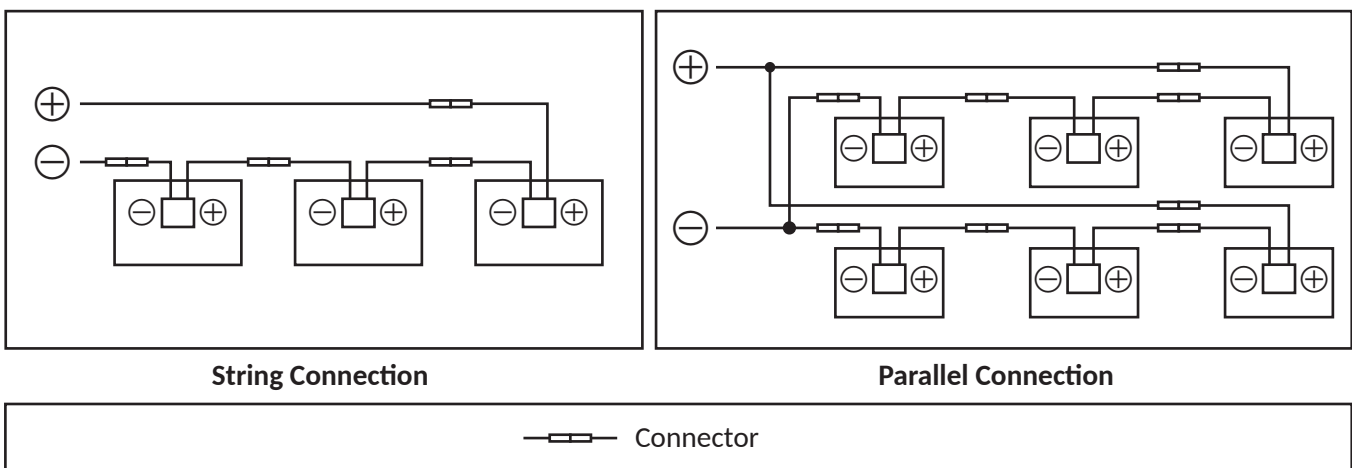
\* For installation with 400mm mounting holes, please consult with tracker companies about the workable installation solution if required test load is over 2400Pa

# 7. ELECTRICAL INSTALLATION

## 7.1. Electrical Performance

The reported performance measurements are subject to  $\pm 3\%$  uncertainty at STC (1000 W/m<sup>2</sup> Irradiance, a cell temperature of 25 °C and an AM1.5 spectrum) for power. For voltage and current, it is  $\pm 2\%$  (Single Glass Modules) and  $\pm 5\%$  (Double Glass Modules).

When modules are in series connection, the string voltage is sum of every individual module in one string. When modules are in parallel connection, the current is sum of the individual module as shown in below figure 6. Modules with different electric performance models cannot be connected in one string.



**Figure 12 - Series connection and parallel connection circuit diagram**

The maximum allowed quantity of modules in string connection shall be calculated according to respective regulations. The open circuit voltage value under the expected lowest temperature shall not exceed the maximum system voltage value allowed by modules and other values required by DC electric parts. (LN Modules maximum system voltage is DC1000V/DC1500V – actually system voltage is designed based on the selected module and inverter model.) The VOC factor can be calculated by the following formula:

$$C_{Voc} = 1 - \beta_{Voc} \cdot ( 25 - T )$$

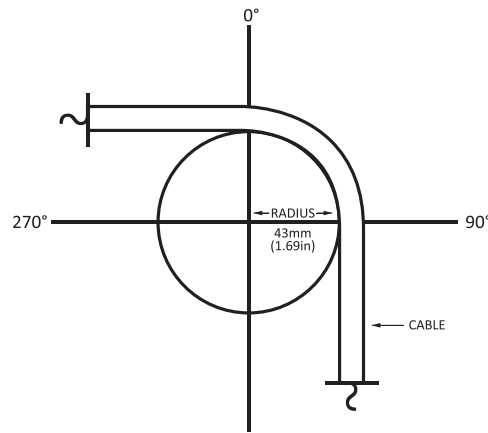
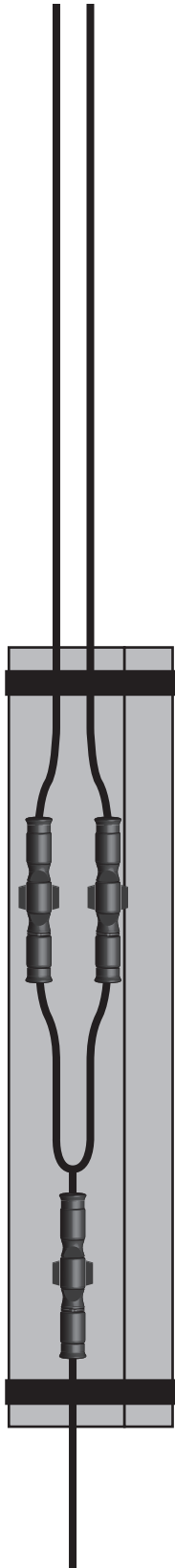
*T*: The expected lowest temperature of the installation site

$\beta_{Voc}$ : temperature coefficient (%/°C) (Refer to modules data sheet for further detail)

If there is reverse current exceeding the maximum fuse current flowing through the module, use overcurrent protection device with the same specifications to protect the module; if parallel connection is more than 2, there must be an overcurrent protection device on each string of module.

# 7. ELECTRICAL INSTALLATION

## 7.2. Cables and Wiring



**Minimum Bending Radius**



**Do Not Press Cables by Force**

In module design, adopt junction boxes with the protective level of IP68 for on-site connection to provide environmental protection for wires and connections and contacting protection for non-insulating electric parts. The junction box performs the protective level of IP68 with well-connected cables and connectors. These designs facilitate parallel connection of modules. Each module has two individual wires connecting the junction box, one is negative pole and the other is positive pole. Two modules can be in series connection by inserting the positive pole at one end of wire of one module into the negative pole of the adjacent module.

Apply proper cable and connector according to local fire protection, building and electrical regulation; ensure the electrical and mechanical property of the cables (the cables should be put in a catheter with ant-UV aging properties, and if exposed to air, the cable itself should have ant-UV aging capability). The installer can only use single-wire cable, No less than  $4\text{mm}^2$  (5-14 AWG),  $90^\circ\text{C}$ , with proper insulation capability to withstand the maximum open circuit voltage (such as EN50618 approval). Make sure you select appropriate wire specifications to reduce voltage drop.

LUXEN SOLAR requires that all wiring and electrical connections comply with the appropriate 'National Electrical Code'.

When cables are fixed on the bracket, avoid mechanical damaging cables or modules. Do not press cables by force. Adopt UV resistant cable and clamps to fix cables on the bracket. Though cables are UV resistant and water proof, it is still necessary to prevent cables from direct sun light and water immersion. The minimum bending radius of cables should be 43mm. (1.69in)

# 7. ELECTRICAL INSTALLATION

## 7.3. Connector 7.4. Bypass Diode

INSTALLATION MANUAL

### 7.3. Connector

Please keep connectors clean and dry. Make sure connector caps are fastened before connection. Do not connect connectors under improper conditions of damp, dirty or other extreme situations. Prevent direct exposure of connectors to sun light and water immersion or falling onto ground or roof.

Incorrect connection may lead to electric arc and electric shock. Please make sure that all electric connections are reliable. Make sure all connectors are fully locked.

Only compatible connectors can be mated, i.e. from the same vendor and model, shall be used;(If you need to use different types of connectors, please consult customer service of LUXEN SOLAR) .

### 7.4. Bypass Diode

LUXEN SOLAR module junction box contains bypass diode which is in parallel connection with the cell string. If hot spot occurred, the diode would come into operation to stop the main current from flowing through the hot spot cells in order to prevent module over-heated and performance loss. Notice, bypass diode is not the overcurrent protection device.

If the diode is definite or suspected to be defective, the installer or system maintenance supplier shall contact LUXEN SOLAR. Please do not try to open the module junction box on your own.

#### PID Protection and Inverter Compatibility

1. PV modules may appear Potential Induced Degradation (PID) under high humidity, high temperature and high voltage condition. Modules may experience Potential Induced Degradation (PID) under the conditions below:
  - PV modules installed under hot and humid weather condition.
  - PV modules installation site is under long term humid condition such as floating PV system.
2. To reduce the risk of PID, on the modules DC connection side, it is recommended to connect the negative to ground. The PID protection measures on system level are recommended as follows:
  - For isolated PV inverter, the negative of the PV modules DC connection side can be directly grounded.
  - For non - isolated PV inverter, isolated transformer is needed to be installed before applying virtual grounding (grounding method guidance from the inverter manufactures is usually needed)

# 8. GROUNDING

- All LUXEN modules must be properly grounded compliant to respective electrical design, construction codes and regulations, as well as grounding requirements of the installation location.
- The frame has pre-drilled grounding holes that should be used for grounding only and not for mounting LUXEN Modules.
- It is forbidden to drill additional grounding holes in the frame because the warranty of the Module will become invalid.
- In design of modules, the anodized corrosion resistant aluminum alloy frame is applied for rigidity support. For safety utilization and to protect modules from lightning and static-electricity damage, the module frame must be grounded.
- The grounding device must be in full contact with inner side of the aluminum alloy and penetrate surface oxide film of the frame. Do not drill additional grounding holes on module frame.
- The grounding conductor or wire may be copper, copper alloy, or any other material acceptable for application as an electrical conductor per respective National Electrical Codes. The grounding conductor must then make a connection to ground with a suitable ground electrode. Holes marked with a grounding mark on the frame can only be used for grounding but not for mounting.
- Frameless double glass modules have no exposed conductor, and therefore according to regulations it did not need to be grounded.
- Grounding must be verified by a qualified expert electrician and the grounding fixture must be manufactured by specialized electrical manufacturer.

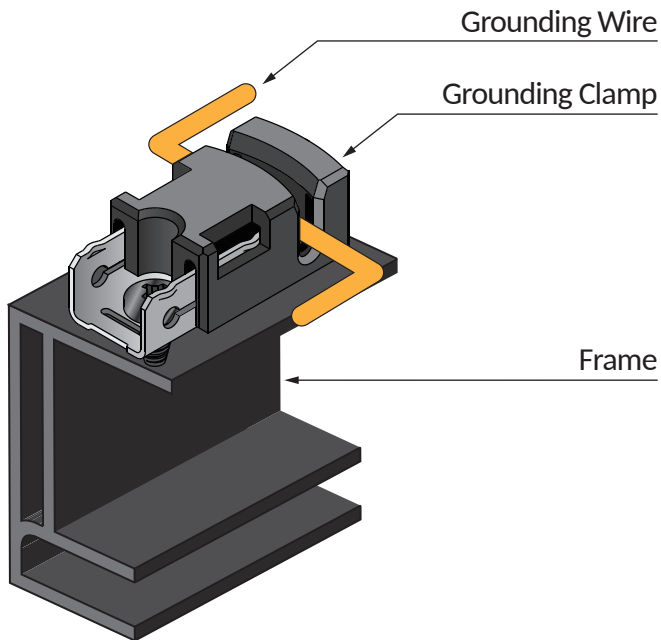
# 8. GROUNDING

## 8.1. Acceptable Grounding Methods

### 8.1.1 Grounding by Grounding Clamp

### 8.1.2 Grounding by Unoccupied Mounting Holes

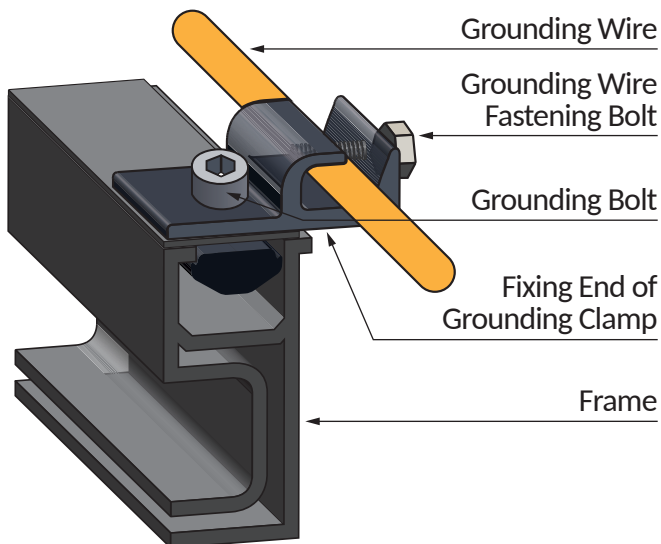
## 8.2. Third Party Grounding Devices



There is a grounding hole with the diameter of  $\text{Ø}4.2$  mm at the edge of the module back frame. The central line of the grounding sign also located on the edge of the module back frame overlaps with that of the grounding hole.

Grounding between modules shall be confirmed by qualified electricians and grounding devices shall be manufactured by qualified electric manufacturer. The torque of copper core wire used for the grounding clamp is recommended to be  $2.3\text{N} \cdot \text{m}$ . 12 AWG. And copper wires cannot be pressed during installation in case of damaging.

Figure 13 - Clamp Grounding Method



Mounting holes on modules that are not occupied can be used for installing grounding components.

- Align grounding clamp to the frame Mounting hole. Use grounding bolt to go through the grounding clamp and frame.
- Put the tooth side of the washer on the other side and fasten the nuts.
- Put grounding wires through the grounding clamp and grounding wire material and dimension shall meet requirements in local national and regional law and regulations.
- Fasten bolts of grounding wires and then installation is completed.

Figure 14 - Bolt Grounding Method

## 8.2. Third Party Grounding Devices

The third party grounding device can be used for grounding of LUXEN Modules, but you need to make sure that grounding is reliable. Grounding device shall be operated in line with instructions of the manufacturer.

# 9. MAINTENANCE OF LN MODULES

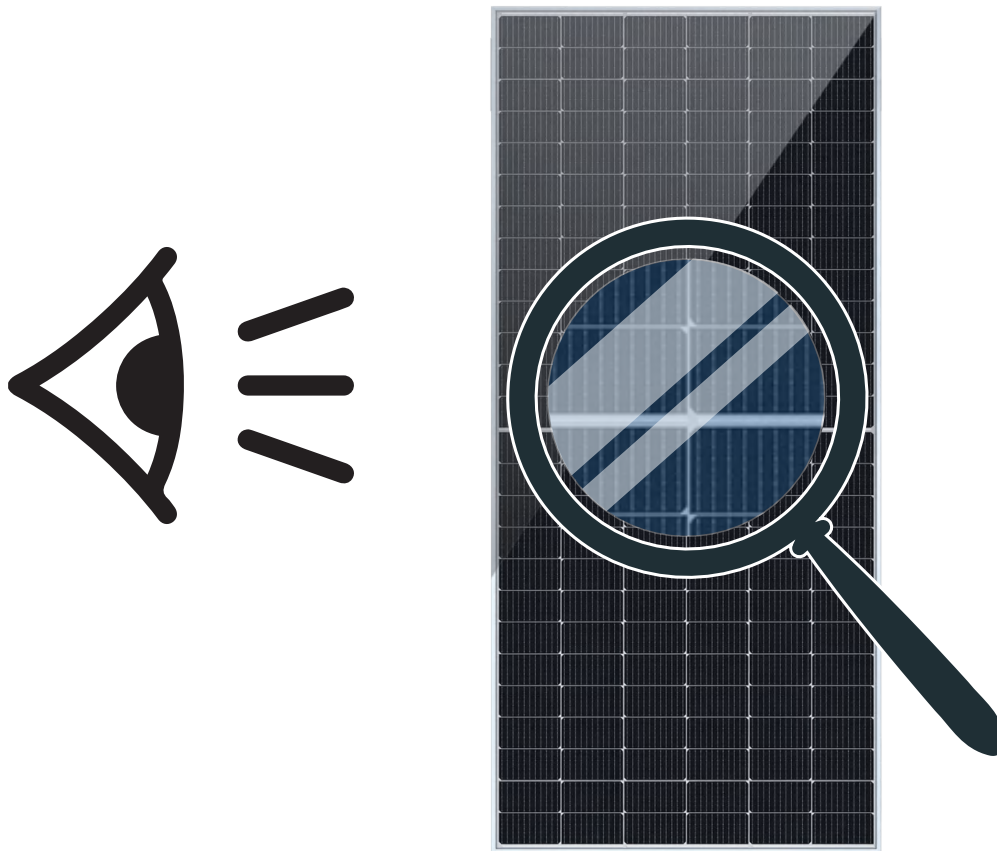
It is the users' responsibility to carry out regular inspection and maintenance for modules, especially during the period of limited warranty.

- During operation of modules, avoid environmental factors that shade modules fully or partially. These environment factors include, yet are not limited to adjacent buildings, items placed on the rooftop, in rooftop installations, chimneys, other modules, module mounting system, birds dwelling, dust, soil or plants, trees. These will significantly reduce output power. LUXEN SOLAR suggests that the module surface should not be shadowed in any case.
- Frequency of cleaning depends on dirt accumulation speed. In normal situations, rainwater will clean the module surface and reduce the cleaning frequency. It is suggested to use sponge dipped with clean water or soft cloth to wipe the glass surface or to use professional service providers. Do not use acid and alkaline detergents to clean modules. Do not use tool with rough surface to clean in any case.
- In order to avoid potential risk of electrical shock or burn, LUXEN SOLAR suggests cleaning the modules during early morning and evening with low irradiance and low modules temperature especially area with high average temperature. In order to avoid potential risk of electrical shock, do not try to clean the modules with glass damage or expose wires.
- Maintenance of LN Modules should be carried out at least once a year by qualified personnel.
- In case of ground-mounted installations, any vegetation which may shade the solar installation must be trimmed.
- All cables, string fuses, all mounting hardware should be checked. Any loose connections may damage the array.
- Do not attempt to open or repair broken or damaged junction boxes.
- Use appropriate safety equipment and gear while doing maintenance works.
- Modules should be covered by non-transparent material while maintenance since when exposed to sunlight, they generate high voltage and are dangerous.
- Shut down the system before attempting any electric repair.

# 9. MAINTENANCE OF LN MODULES

## 9.1. Modules Appearance check

INSTALLATION MANUAL

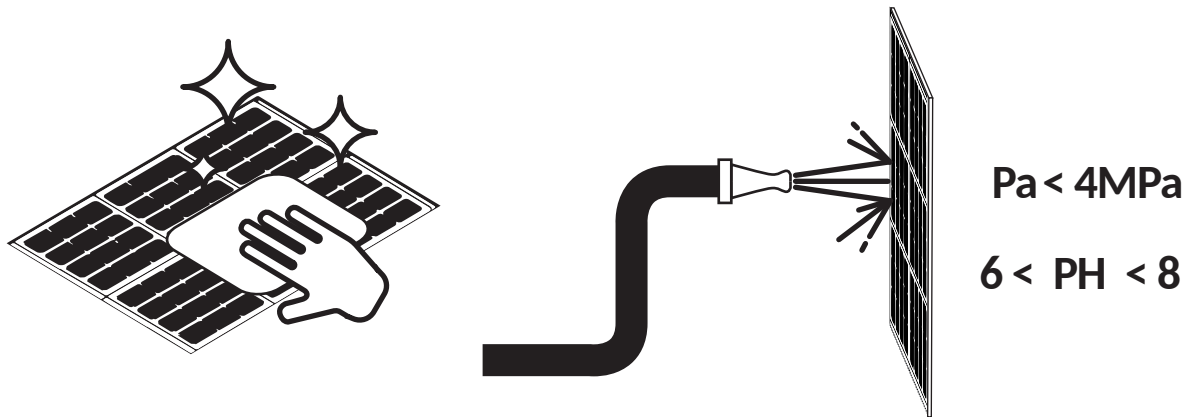


Check module cosmetic defects with **naked eyes**, especially:

- Module glass cracks.
- Corrosion at welding parts of the cell main grid, caused by moisture into the module due to damage of sealing materials during installation or transportation.
- Check whether there are traces of burning mark on the module back sheet.
- Check PV modules for any signs of aging including rodent damage, climate aging, connectors tightness, corrosion and grounding condition.
- Check if any sharp objects got in contact with PV modules' surface.
- Check if any obstacles cast shade on the PV modules.

# 10. CLEANING OF LN MODULES

INSTALLATION MANUAL



- Make sure Modules are cleaned, if dirty, especially in very dusty environment with no rain fall. Cells shaded from dirt will produce less energy. The frequency of cleaning activities depends on weather conditions that may have influenced the dirt accumulation on the surface of modules and the tilt angle of installation. Modules may be cleaned solely using soft cloth and water (at similar temperature as the module surface) or professional cleaning companies specialized in cleaning of PV installations.
- Cleaning of Modules should be carried out in early morning or evening hours when the sunlight is weak, and the Modules' temperature is low. Before cleaning, make sure that the circuit is disconnected.
- The maximum water pressure for cleaning should not exceed 4 MPa. Soft water is recommended, with PH 6-8;
- Modules installed flat should be cleaned more often since they will not self-clean as modules installed at 10 degrees tilt or higher.
- Do not use any sharp objects while cleaning the modules, neither on the front or on the back side (back side usually doesn't need any cleaning).
- The cleaners should wear insulation gloves and other protective gear. It is strictly prohibited to clean the

# 11. RELEASE

This manual document is implemented and managed by LN Product Management Department.

**LUXEN SOLAR** reserves the rights to modify this installation manual at any time without any prior notice.

**LUXEN SOLAR** will not take any responsibility if patent rights, or the third party rights are infringed by use of LN Modules.

AMENDED EDITIONS AND DATES

Rev 4.0 Release - April, 2025.

**LUXEN SOLAR ENERGY CO., LTD.**

T: +86 512 6708 1572

F: +86 512 6708 1570

info@luxensolar.com

www.luxensolar.com

# TABLE OF FIGURES

Figure 1 - Regular modules mechanical drawing.....	3
Figure 2 - Junction box and wiring.....	4
Figure 3 - Packaging style .....	9
Figure 4 - Forklift unloading .....	10
Figure 5 - Crane lifting .....	11
Figure 6 - Vertical packaging.....	16
Figure 7 - Horizontal packaging .....	17
Figure 8 - Handling of solar panels .....	18
Figure 9 - The installation angle .....	20
Figure 10 - Bolt installation of monofacial module .....	22
Figure 11 - Clamp installation of module .....	23
Figure 12 - Series connection and parallel connection circuit diagram.....	26
Figure 13 - Clamp grounding method.....	30
Figure 14 - Bolt grounding method .....	30



AMENDED EDITIONS AND DATES

Rev 4.0 Release - April, 2025.

**LUXEN SOLAR ENERGY CO., LTD.**

T: +86 512 6708 1572

F: +86 512 6708 1570

[info@luxensolar.com](mailto:info@luxensolar.com)

[www.luxensolar.com](http://www.luxensolar.com)